

Registers

Tom Kelliher, CS 220

Nov. 7, 2003

1 Administrivia

Announcements

Return homework; collect homework

Homework due Wednesday; exam Friday.

Assignment

Read 5-3.

From Last Time

VHDL for sequential circuits.

Outline

1. Definitions.
2. Parallel registers.
3. VHDL for registers.

Coming Up

Serial registers.

2 Definitions

1. Register: A set of flip-flops which have common clock and control signals and load related bits — a whole word, data on a bus.

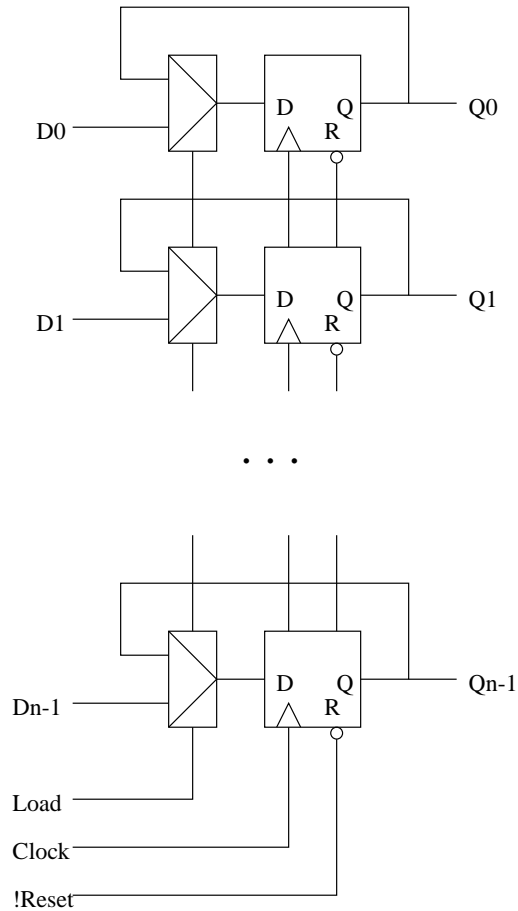
Examples: register file, MDR, MAR.

2. Counter: A register which passes through a pre-determined set of states. Usually they count by one from 0 to $n - 1$.

Example: program counter.

3 Parallel Registers

Use a mux approach:



Gating the clock will save the muxes, but clock gating is usually a bad idea — clock skew problems.

1. Really bad: `clockToFF = load and clock`
2. OK: `clockToFF = !load or clock`

Show waveforms and show what skew looks like and why we care.

4 VHDL for Registers

```
-- VHDL for 32 bit parallel load register with asynchronous low
-- reset.
```

```

library ieee;
use ieee.std_logic_1164.all;

entity parallel_register is

    port (
        clock, load, reset_n : in  std_logic;
        d                      : in  std_logic_vector (31 downto 0);
        q                      : out std_logic_vector (31 downto 0));

end parallel_register;

architecture dataflow of parallel_register is

    signal state : std_logic_vector (31 downto 0);

begin -- dataflow

    q <= state; -- Output process.

    state_reg : process (clock, reset_n)
    begin -- process state
        if (reset_n = '0') then -- asynchronous reset (active low)
            state <= X"00000000";
        elsif (clock'event and clock = '1') then -- rising clock edge
            if (load = '1') then
                state <= d;
            else
                state <= state;
            end if;
        end if;
    end process state_reg;

end dataflow;

```