

Sequential Circuit Analysis

Tom Kelliher, CS 220

Oct. 31, 2001

1 Administrivia

Announcements

Forget about the waveform diagrams — make sure you understand the characteristics tables on pg. 199.

Assignment

For Friday do problems 4-10, 4-13, and 4-14. Ungraded, but you are responsible for that material. I will not be in.

For Monday read 4-5,6.

From Last Time

Flip-Flops and waveforms. And a lot of confusion.

Outline

1. Reverse engineering a sequential circuit.
2. Input equations, state tables, and state diagrams.

3. Example problems.

Coming Up

Sequential circuit design.

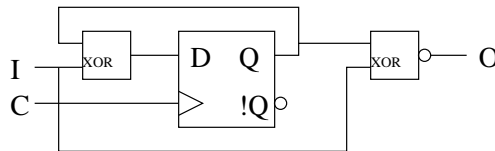
2 Reverse Engineering Sequential Circuits

Analysis = reverse engineering.

One doesn't ordinarily do this, but doing so will help with sequential circuit design.

3 Input Equations, State Tables, and State Diagrams

Consider the following sequential circuit:



What does it do — high level?

What happens if we use !Q as the input to the NEXOR rather than Q?

Mealy (this circuit) vs. Moore machines.

3.1 Input Equations

What are the equations for O and D (input equation)?

Do these differ that much from anything we've already seen?

3.2 State Tables

State tables are similar to truth tables, with two additions:

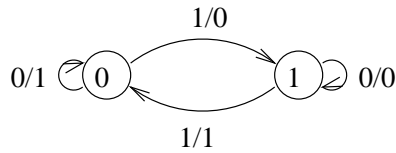
1. Present state inputs — flip-flop outputs.
2. Next state outputs — derived from input equations for flip-flops.

Present State	I	Next State	O
0	0	0	1
0	1	1	0
1	0	1	0
1	1	0	1

3.3 State Diagrams

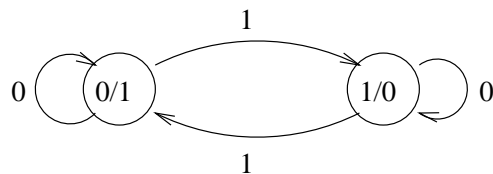
Conveys same information as state table, in a visual form.

State diagram for our example (Mealy):



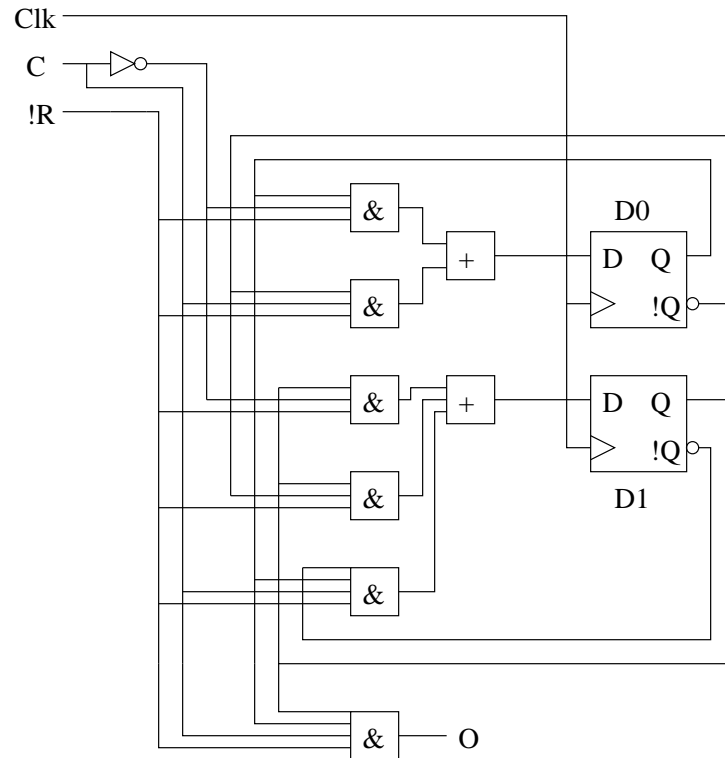
How do I read this?

Moore machine example:



4 Example

Determine input and output equations, state table, and state diagram for this circuit:



Is this Mealy or Moore?