



.....

Cheetah 4LP

.....

Disc Drive

.....

ST34501N/W/WC/WD/DC

.....

Installation Guide

.....

Contents

| | |
|--|----|
| Preface | 1 |
| Electrostatic discharge protection | 1 |
| Important safety information and precautions..... | 2 |
| Wichtige Sicherheitshinweise | 4 |
| European Union compliance..... | 7 |
| Technical support services | 8 |
| General description..... | 12 |
| Initial setup information..... | 17 |
| Kühlung des Systems | 27 |
| Installation des Laufwerkes und Anschluß der Kabel | 29 |
| N drives section | 36 |
| W/WD drives section | 40 |
| WC/DC drives section..... | 45 |
| All drives (LED connections)..... | 47 |

©1996 Seagate Technology, Inc. All rights reserved

Publication Number: 83329110, Rev. A

November 1996

Seagate, Seagate Technology, and the Seagate logo are registered trademarks of Seagate Technology, Inc. Cheetah, SeaFAX, SeaFONE, SeaNET, SeaTDD, and SeaBOARD are either trademarks or registered trademarks of Seagate Technology, Inc. or one of its subsidiaries. All other trademarks or registered trademarks are the property of their respective owners.

No part of this publication may be reproduced in any form without written permission from Seagate Technology, Inc.

Preface

This manual contains information for users of the Seagate® Cheetah 4LP SCSI disc drives. It provides support services, performance specifications, and initial setup information. Additional information is available in the *Cheetah 4LP Product Manual* (part number 83329120). Contact your Seagate sales representative if you need to order this publication.

Electrostatic discharge protection

Caution. Removal of circuit boards by personnel not performing depot repair will damage components and may void the warranty.

All drive electronic assemblies are sensitive to static electricity, due to the electrostatically sensitive devices used within the drive circuitry. Although some devices such as metal-oxide semiconductors are extremely sensitive, all semiconductors, as well as some resistors and capacitors, may be damaged or degraded by exposure to static electricity.

Electrostatic damage to electronic devices may be caused by the direct discharge of a charged conductor or by exposure to the static fields surrounding charged objects. To avoid damaging drive electronic assemblies, observe the following precautions when installing or servicing the drive:

- Ground yourself to the drive whenever the drive electronics are or will be exposed. Connect yourself to ground with a wrist strap (Seagate part number 12263496). Connection may be made to any grounded metal assembly. As a general rule, remember that you and the drive electronics must all be grounded to avoid potentially damaging static discharges.

- Turn off the power before removing or installing the DC power cable.
- Do not remove any circuit boards from the drive.
- Never use an ohmmeter on any circuit boards.
- When installing the drive on a carrier or tray, discharge the carrier or tray prior to inserting it into the system.

Important safety information and precautions

Caution. Use forced-air ventilation when bench-testing the drive to ensure proper cooling of drive components.

Use proper safety techniques for safe, reliable operation of this unit.

The procedures in this manual and labels on the unit contain warnings and cautions that must be carefully read and followed to minimize or eliminate the risk of personal injury. The warnings point out conditions or practices that may endanger you or others. The cautions point out conditions or practices that may damage the unit, possibly making it unsafe for use.

Always observe the following warnings and precautions:

- Follow all cautions and warnings in the procedures.
- Use sound safety practices when operating, installing, or removing the unit.
- Use caution when troubleshooting a unit that has voltages present. Turn off power to the unit before removing it.
- Ensure that the internal temperature of the rack or cabinet does not exceed the limits defined for the drive when the drive is mounted in an equipment rack or cabinet. When units are

stacked vertically, pay special attention to the top where temperatures are usually highest.

- Follow the precautions listed above in “Electrostatic discharge protection.”
- Do not remove any circuit boards from the drive. Return the entire drive for depot repair if any circuit board is defective. Removal of circuit boards by personnel not performing depot repair will damage components and may void the warranty.
- Do not separate the head and disc assembly (HDA) from the PCB. Return the entire drive for depot repair if the HDA is defective.
- Do not attempt to disassemble the HDA. It is not field repairable. If the sealed HDA is opened by personnel not performing depot repair, this will damage components and void the warranty.

As a component, this drive is designed to be installed and operated in accordance with UL1950, EN60950, CSA C22.2 950-M89, and VDE0805.

Seagate takes all reasonable steps to ensure that its products are certifiable to currently accepted standards. Typical applications of these disc drives include customer packaging and subsystem design. Safety agencies conditionally certify component assemblies, such as the Cheetah disc drive, based on their final acceptability in the end-use product. The subsystem designers are responsible for meeting these conditions of acceptability in obtaining safety-regulatory agency compliance in their end-use products and for certifying where required by law. A necessary part of meeting safety requirements is the provision for overcurrent protection on drive SELV supply voltages.

This unit is a component part and as such is not meant to comply with FCC or similar national requirements as a stand-alone unit. Engineering radiated emissions test results are available through the Seagate Safety Department to assist the subsystem designer.

Wichtige Sicherheitshinweise

Vorsicht. Beim Testen des Laufwerks auf dem Prüftisch ist Fremdbelüftung vorzusehen, um eine ausreichende Kühlung der Laufwerkkomponenten sicherzustellen.

Verwenden Sie geeignete Sicherheits- um den sicheren, zuverlässigen Betrieb dieser Einheit zu gewährleisten.

Die Verfahren in diesem Handbuch und die Aufkleber auf dem Gerät enthalten Warn- und Vorsichtshinweise. Diese Hinweise sind sorgfältig durchzulesen und zu beachten, um das Risiko von Verletzungen auf ein Mindestmaß zu beschränken oder ganz zu vermeiden. Die Warnhinweise machen auf Situationen oder Praktiken aufmerksam, die Sie oder andere gefährden könnten. Die Vorsichtshinweise machen auf Situationen oder Praktiken aufmerksam, die die Einheit beschädigen können, so daß deren Gebrauch mit Risiko behaftet ist.

Die Warn- und Vorsichtshinweise sind nicht allumfassend! Es ist uns einfach nicht möglich, alle Wartungsmethoden oder die eventuellen Risiken jeder Methode zu kennen, zu beurteilen und Sie entsprechend zu beraten. Aus diesem Grund haben wir auf eine derartige umfassende Beurteilung verzichtet. Falls Sie ein hier nicht beschriebenes Verfahren oder Werkzeug verwenden, stellen Sie zuerst sicher, daß das gewählte Verfahren weder Ihre persönliche Sicherheit noch die Leistung der Einheit gefährdet.

Beachten Sie in jedem Fall die folgenden Warn- und Vorsichtshinweise:

- Beachten Sie alle Warn- und Vorsichtshinweise in diesem Handbuch.
- Treffen Sie beim Betrieb, bei der Installation oder bei der Entfernung der Einheit angemessene Sicherheitsvorkehrungen.
- Wenn eine Einheit unter Spannung steht, gehen Sie bei der Fehlerdiagnose besonders vorsichtig vor. Schalten Sie die Einheit aus, bevor Sie mit den Installations- und Entfernungsarbeiten beginnen.
- Wenn das Laufwerk in einem Einbaugestell oder Gehäuse montiert ist, sorgen Sie dafür, daß die Temperatur im Inneren des Gestells oder Gehäuses die für das Laufwerk vorgegebenen Grenzwerte nicht übersteigt. Wenn Einheiten vertikal übereinander betestigt werden, achten Sie besonders auf den oberen Stapelbereich, da dort die Temperatur gewöhnlich am höchsten ist.
- Befolgen Sie die oben unter "Electrostatic Discharge Protection" angegebenen Sicherheitsmaßnahmen.
- Nehmen Sie keine Platinen aus dem Laufwerk. Wenn eine Platine defekt ist, muß das gesamte Laufwerk zur Reparatur eingeschickt werden. Die Herausnahme von Platinen durch andere Personen als die für die werkseitige Reparatur zuständigen kann zu einer Beschädigung der Komponenten und Erlöschen des Garantieanspruchs führen.

- Die vormontierte Kopf- und Festplatteneinheit (HDA) nicht aus dem Laufwerkgehäuse nehmen! Falls die HDA beschädigt ist, schicken Sie das gesamte Laufwerk zur Reparatur ein.
- Die HDA ist nicht vor Ort reparierbar und darf nicht auseinandergenommen werden! Öffnen der versiegelten HDA durch andere Personen als die für die werkseitige Reparatur zuständigen hat eine Beschädigung der Komponenten und Erlöschen des Garantieanspruchs zur Folge.

Als Teilkomponente ist dieses Laufwerk für die Installation und den Betrieb in Übereinstimmung mit UL 1950, EN60950, CSA C22.2 950-M89 und VDE0805 vorgesehen.

Seagate ist ständig bemüht, die Zulassungsfähigkeit von Seagate-Produkten im Rahmen der gegenwärtig geltenden Standards zu gewährleisten. Zu den typischen Anwendungen dieser Festplattenwerke zählen Systemeinsatz durch den Kunden und die Konstruktion von Untersystemen. Sicherheitsbehörden gewähren eine bedingte Zulassung für Komponenten wie das Cheetah-Festplattenlaufwerk vorbehaltlich der endgültigen Zulassung im Endprodukt. Designer von Untersystemen sind dafür verantwortlich, die Voraussetzungen für die Einhaltung sicherheits- oder aufsichtsbehördlicher Vorschriften in ihren Endprodukten und - falls gesetzlich vorgeschrieben - für die Zulassung zu schaffen. Eine Grundvoraussetzung zur Einhaltung der Sicherheitsanforderungen ist die Bereitstellung eines Überlastschutzes für die SELV-Versorgungsspannungen des Laufwerks.

Dieses Gerät ist eine Baugruppe und unterliegt als solche nicht den Anforderungen der FCC oder ähnlicher nationaler Behörden für eigenständige Geräte. Technische Testergebnisse zu elek-

tromagnetische Strahlung sind für Designer von Untersystemen auf Anfrage von der Seagate-Sicherheitsabteilung erhältlich.

European Union compliance

If this model has the CE Marking, it complies with the European Union requirements of the Electromagnetic Compatibility Directive 89/336/EEC of 03 May 1989 as amended by Directive 92/31/EEC of 28 April 1992 and Directive 93/68/EEC of 22 July 1993.

Seagate uses an independent laboratory to confirm compliance to the above directives. The drive was tested in a representative system for typical applications. The selected system represents the most popular characteristics for test platforms. The system configurations include:

- 486, Pentium, and PowerPC microprocessors
- 3.5-inch floppy disc drive
- Keyboard
- Monitor/display
- Mouse
- Printer

Although the test system with this Seagate model complies to the directives, we cannot guarantee that all systems will comply. The computer manufacturer or system integrator shall confirm EMC compliance and provide CE Marking for their product.

Technical support services

If you need assistance installing your drive, consult your dealer. Dealers are familiar with their unique system configurations and can help you with system conflicts and other technical issues. If you need additional assistance with your Seagate® drive or other Seagate products, use one of the Seagate technical support services listed below.

SeaFONE® at 1-800-SEAGATE (1-800-732-4283)

Seagate's 800 number allows toll-free access to automated self-help services, providing answers to commonly asked questions, troubleshooting tips, and specifications for disc drives and tape drives. This service is available 24 hours daily and requires a touch-tone phone. If you need to speak to a technical support engineer, dial this number and listen to the options for technical support. (International callers can also reach this automated self-help service by dialing 408-456-4496).

Seagate Technology online services

Using a modem, you can obtain troubleshooting tips, free utility programs, drive specifications and jumper settings for Seagate's entire product line. You can also download software for installing and analyzing your drive.

SeaNET™

You can obtain technical information on Seagate drives, Seagate software, and much more over the Internet from Seagate's World Wide Web home page (**<http://www.seagate.com>**) or Seagate's ftp server (**<ftp://ftp.seagate.com>**).

SeaBOARD®

SeaBOARD is a computer bulletin board system (BBS) that contains information about Seagate's disc and tape drive products and is available 24 hours daily. Set your communications software to eight data bits, no parity, and one stop bit (8-N-1). SeaBOARD phone numbers are listed in the following table.

| BBS Location | Modem number |
|---------------------|---|
| United States | Disc: 408-434-1080; Tape: 408-456-4415 |
| England | 44-1628-478011 |
| France | 33 1-48 25 35 95 |
| Germany | 49-89-140-9331 |
| Singapore | 65-292-6973 |
| Thailand | 662-531-8111 |
| Australia | 61-2-9756-2359 |
| Taiwan | 886-2-719-6075 |

Seagate CompuServe Forum

Online technical support for Seagate products is available on CompuServe. To access our technical support forum, type **go seagate**. This forum provides information similar to that found on SeaBOARD. In addition, you can type questions or browse through previous questions and answers on the forum messages.

Seagate Technology FAX services

SeaFAX®

You can use a touch-tone telephone to access Seagate's automated FAX system to receive technical support information by return FAX. This service is available 24 hours daily.

| Location | Telephone number |
|-----------------|-------------------------------|
| United States | 1-800-SEAGATE or 408-456-4496 |
| England | 44-1628-894084 |
| Australia | 61-2-9756-5170 |

Seagate technical support FAX

You can FAX questions or comments to technical support specialists 24 hours daily. Responses are sent during business hours.

| Location | FAX number |
|-----------------|--|
| United States | 408-944-9120 (8:00 A.M. to 5:00 P.M. Pacific time, M–F) |
| England | 44-1628-894089 (9:00 A.M. to 5:30 P.M., M–F) |
| France | 33 1-46 04 42 50 (9:00 A.M. to 6:00 P.M., M–F) |
| Germany | 49-89-149-8916-6 |
| Australia | 61-2-9725-4052 |
| Singapore | 65-293-4722 |
| Hong Kong | 852-2689 7173 |
| Taiwan | 886-2-715-2923 |
| Korea | 82-2-556-7294/4251 |

Seagate technical support

You can talk to a technical support specialist during business hours Monday through Friday for one-on-one technical help. Before calling, note your system configuration and drive model number (STxxxx). There are several technical support phone numbers available for various Seagate products.

| Location | Telephone number |
|-----------------|---|
| United States | Please dial 1-800-SEAGATE for the specific product telephone number. (6:00 A.M. to 5:00 P.M., M–F) |
| England | 44-1628-894083 (10:00 A.M. to 1:00 P.M., 2:00 P.M. to 5:00 P.M., M–F) |
| France | 33 1-41 86 10 86 (9:30 A.M. to 12:30 P.M., 2:00 P.M. to 5:00 P.M., M–F) |
| Germany | Disc: 49-89-140-9332; Tape: 49-89-140-9333 |
| Australia | 61-2-9725-3366 |
| Singapore | 65-290-3998 or 65-485-3998 |
| Hong Kong | 852-2368 9918 |
| Taiwan | 886-2-514-2237 |
| Korea | 82-2-556-8241 |

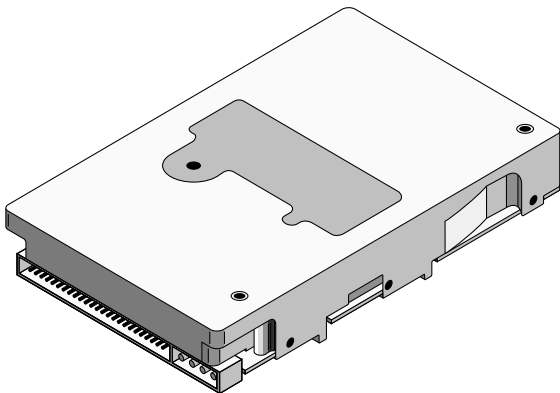
SeaTDD™ 408-944-9121

Using a telecommunications device for the deaf (TDD), you can send questions or comments 24 hours daily and exchange messages with a technical support specialist between 6:00 A.M. and 5:00 P.M. (Pacific time) Monday through Friday.

General description

Cheetah 4LP SCSI disc drives are high-speed, random-access digital-data storage devices.

The drive is a component for installation in an enclosure designed for the drive. This is often a rack within the system or an external enclosure designed to house one or more disc drives or other peripheral units. In either case, the disc drive must receive adequate cooling (refer to “Providing adequate cooling”) and it must be sufficiently grounded and shielded from emissions. The *Cheetah 4LP Product Manual* (part number 83329120) contains guidelines for a properly designed enclosure.



*Model “N” version with 50-pin SCSI I/O connector

Figure 1. Cheetah 4LP family drive

Table 1. Drive characteristics

Characteristics of the various drives covered by this manual are given in the following tables.

| | |
|--|--|
| Interface type: | SCSI Fast-20 (also called UltraSCSI ¹) |
| Cylinders (user accessible): | 6,526 |
| Disk rotation: | 10,000 r/min |
| Avg. latency: | 2.99 msec |
| Seek time ² | |
| Average read (typical) | 8.5 msec |
| Average write (typical) | 9.5 msec |
| Internal transfer rate (variable with zone) | 122 to 177 Mbytes/sec |
| Multi-segmented cache | 512 Kbytes |

¹Also operates per SCSI-1/SCSI-2/SCSI-3 protocols.

²Not including on-board controller overhead.

Table 1a. Additional drive characteristics

Legend for following table listing other drive characteristics:

A = capacity, unformatted, Gbytes

B = capacity, formatted, Gbytes¹

C = number of read/write data heads

D = max. synchronous SCSI interface transfer rate, Mbytes/sec

| Model | A | B | C | D |
|--------------|----------|----------|----------|----------|
| ST34501N | 6,008 | 4,550 | 8 | 20 |
| ST34501W | 6,008 | 4,550 | 8 | 40 |
| ST34501WC | 6,008 | 4,550 | 8 | 40 |
| ST34501WD | 6,008 | 4,550 | 8 | 40 |
| ST34501DC | 6,008 | 4,550 | 8 | 40 |

¹Standard OEM units formatted with 512 bytes per sector. The drive is divided into six-cylinder-wide regions. Each region has 54 spares when formatted for 512-byte sectors.

Table 2. DC power requirements (Amps)

| | ST34501 | | | |
|--|----------------------------|-------------------------|------------------------|-------------------------|
| | N, W, WC models | | WD, DC models | |
| | +5V^{8, 10} | +12V⁸ | +5V⁸ | +12V⁸ |
| Voltage regulation⁵ | ± 5% | ± 5%² | ± 5% | ± 5%² |
| Max. start current | | | | |
| Peak DC ^{3, 6, 9} | 0.83 | 2.00 | 0.89 | 2.00 |
| Delayed motor start (max) ^{1, 4} | 0.68 | 0.06 | 0.72 | 0.06 |
| Peak operating current | | | | |
| Typical DC ¹ | 0.84 | 0.89 | 1.05 | 0.89 |
| Maximum (peak) ⁷ | 0.85 | 0.92 | 1.09 | 0.92 |

¹ Measured with an average reading DC ammeter. Instantaneous +12V current peaks will exceed these values.

² A -10% tolerance is permissible during initial start of the spindle but must return to ±5% before reaching 10,000 RPM. The ±5% must be maintained after the drive signifies that its power-up sequence has been completed and that the drive is able to accept selection by the host initiator.

³ See the +12V current profile in the *Cheetah 4LP Product Manual* (publication number 83329120).

⁴ This condition occurs when the Motor Start option is enabled and the drive has not yet received a Start Motor command.

⁵ See “Conducted noise immunity” in the *Cheetah 4LP Product Manual*. The specified voltage tolerance is inclusive of ripple, noise, and transient response.

- ⁶At power-up, the motor current regulator limits the +12V current to an average value of less than value shown in table, although instantaneous peaks may exceed this value. These peaks should measure 5 msec duration or less.
- ⁷Minimum current loading for each supply voltage is not less than 4% of the maximum operating current shown.
- ⁸Use separate ground returns for +5V and +12V supplies.
- ⁹Where power is provided to multiple drives from a common supply, carefully consider individual-drive power requirements. Where multiple units are powered on simultaneously, be sure the peak starting current is available to each device.
- ¹⁰No terminator power. See 11.7.3.4 in the *Cheetah 4LP Product Manual*.

Table 3. Dimensions of the drive

| | in | mm |
|--------|------------------|--------|
| Height | 1.00 | 25.4 |
| Width | 4.00 | 101.6 |
| Depth | 5.75 | 146.05 |
| Weight | 1.3 lb (0.59 kg) | |

Initial setup information

The general information beginning on this page applies to all of the Cheetah 4LP drive models. After reading the general information topics, refer to the appropriate drive-specific section listed below for additional information about configuring and installing your particular model.

| Drive models | Page |
|---------------------|-------------|
| ST34501N | 36 |
| ST34501W/WD | 40 |
| ST34501WC/DC | 45 |

General information

The following general information topics are discussed:

- SCSI ID jumpers
- Drive termination
- Terminator power
- Interface drivers and data path width notes
- Other applicable jumper options
- Providing adequate cooling
- Mounting the drive and connecting cables¹
- Formatting the drive

¹This mounting procedure does not apply to “WC” or “DC” model drives. To mount a “WC” or “DC” drive, plug the drive into the system’s single connector attachment (SCA) position on the system’s back panel.

SCSI ID jumpers

Each device on the SCSI chain must have a unique SCSI ID. The host system's SCSI controller usually uses the ID that has the highest priority interrupt in the SCSI I/O system. This is always ID7. ID0 is lowest priority in an 8-bit I/O system. ID8 is lowest priority in a 16-bit I/O system. The lower priority SCSI IDs are normally used for other SCSI devices such as this Cheetah disc drive.

Note. Most SCSI controllers (host adapters) allow you to skip a SCSI ID. For example, you can have ID0, ID1, and ID3 (skipping ID2). Other controllers do not allow this so be sure to refer to your system or controller user's manual for details about its requirements for proper SCSI device installation.

Note. This drive is a SCAM (SCSI Configured Auto Magically) compliant drive. If the system into which you are installing this drive requires SCAM compliant drives, you do not need to be concerned about the drive ID jumper settings, as the system automatically assigns your new drive the ID it wants it to have. The system may or may not use the existing drive ID jumper settings. Setting the drive ID doesn't hurt anything, but is not necessary in a SCAM compliant system.

Most Cheetah disc drives are factory set with the SCSI ID set at 0. To change the SCSI ID, refer to the appropriate drive section for your model.

If, after completing the installation process, the drive's LED does not show on/off activity when the host is trying to communicate with the drive, a duplicate SCSI ID may be the problem. If this is

the case, change the ID so that each device on the SCSI chain has its own unique ID. Also check your system or controller user's manual to ensure that you have not violated its SCSI ID numbering recommendations.

Drive termination

If you are installing a Cheetah drive in a system that has other SCSI devices installed, terminate only the end devices on the SCSI chain. A SCSI "device" is any disc drive, scanner, tape backup unit, or other piece of hardware connected to your system using the SCSI bus.

The top example in Figure 2 shows an internal hard disc at one end of the SCSI bus with the SCSI controller at the other end (both are terminated). The bottom example shows two additional SCSI devices connected externally—this means the SCSI controller is no longer on the end of the SCSI chain and should not be terminated.

Note. Some controllers prefer to remain terminated even if they are in the middle of the chain. Also, some controllers treat the internal and external chains as separate logical buses. This means you may need to terminate both the first and last devices on both logical buses to achieve proper termination. If necessary, refer to your system or controller documentation to see how this is handled in your particular system.

For information about how to terminate your drive, refer to the appropriate drive-specific section.

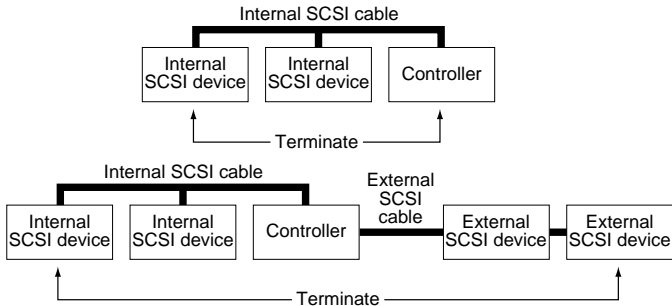


Figure 2. SCSI bus termination

Terminator power

You usually will not need to change this option and can normally leave the drive configured as it was shipped from the factory. For information about how to change the terminator power option on your drive, refer to the appropriate drive-specific section.

I/O circuits and data path widths

- “WD” and “DC” models use differential I/O circuits. You cannot mix these models with single-ended models (“N,” “W,” “WC”) on the same SCSI bus. The circuits are incompatible with each other.
- “W,” “WD,” and “WC” models have a “wide” (16-bit) SCSI data bus rather than the standard (non-wide) 8-bit SCSI data bus; however, you can use these wide drives on a standard (non-wide) 8-bit data bus.

Figures 3a, 3b, 3c, and 3d show typical drive connections. The following table lists the maximum cable lengths and number of devices with single-ended I/O circuits allowed on a daisy-chain cable for 5 and 20 Mbytes/sec I/O data transfer rates.

Table 4. Cable characteristics for single-ended circuits

| I/O transfer rate | Maximum number of devices on line | Maximum cable length allowed |
|--------------------------|--|-------------------------------------|
| 5 Mbytes/s | 8 (reg. SCSI bus) | 6 meters (19.7 ft.) |
| 5 Mbytes/s | 16 (wide SCSI bus) | 6 meters (19.7 ft.) |
| 20 Mbytes/s | 4 (reg. SCSI bus) | 3 meters (9.8 ft.) |
| 20 Mbytes/s | 8 (reg. SCSI bus) | 1.5 meters (4.9 ft.) |
| 20 Mbytes/s | (wide SCSI bus) ¹ | ¹ |

¹See system documentation. ANSI spec does not specify a value here.

For devices having differential I/O circuits, a maximum cable length of 25 meters (82 feet) is allowed. A maximum of 8 devices can be connected on an 8-bit wide data bus, and a maximum of 16 devices can be connected on a 16-bit wide data bus.

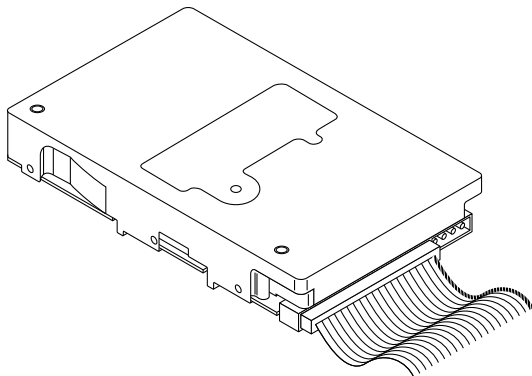


Figure 3a. 50-pin I/O connection to drive

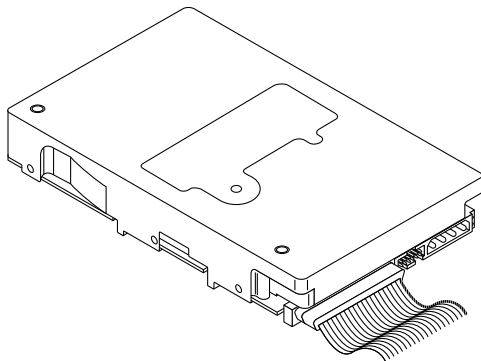
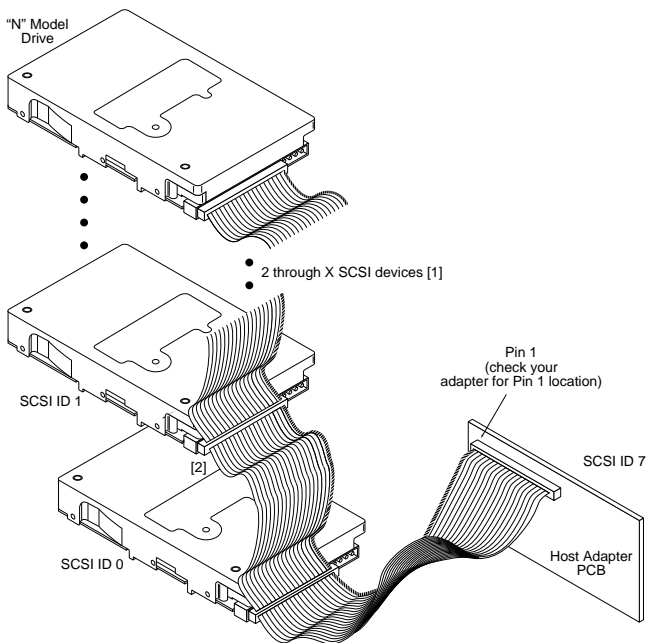
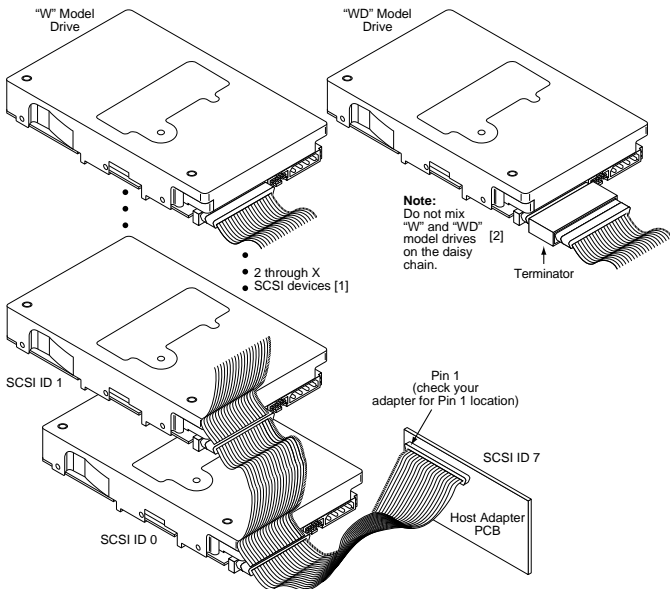


Figure 3b. 68-pin I/O connection to drive



[1] "X" means up to 6 or the maximum allowable number of devices on the SCSI bus. See system documentation.

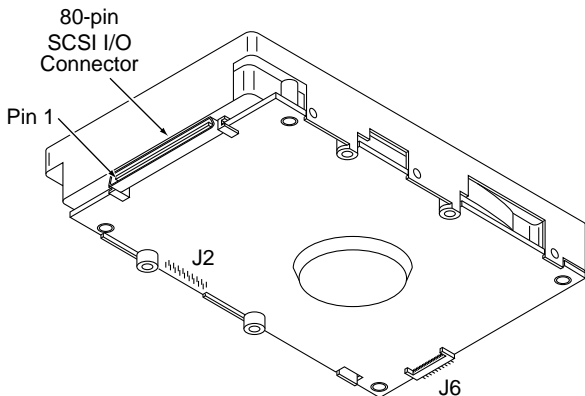
Figure 3c. Multiple drive connection to host adapter



[1] "X" means up to 15 or the maximum allowable number of devices on the SCSI bus. See system documentation and Table 4.

[2] External terminator. Used only on end "WD" drive.

Figure 3d. Multiple-drive connection to host adapter



Note. This drive model plugs directly into a backplane connector and therefore uses no cables.

Figure 3e. Drive model “WC” or “DC” with single 80-pin I/O and power connector

Providing adequate cooling

The enclosure design must ensure adequate cooling for the drive. The maximum ambient temperature is 50°C.

The drive's product manual (83329120) describes how to evaluate the air-flow design. The evaluation consists of ensuring that the case temperature of certain critical components remains within acceptable limits during drive operation.

We recommend orienting the drive or directing the air flow in a way that creates the least amount of air-flow resistance while providing air flow above the circuit boards and around the head and disc assembly (HDA). Also, choose the shortest possible path between the air inlet and exit. This minimizes the distance traveled by air that is heated by the drive and by other nearby heat sources.

Figure 4 shows two design approaches with one or more fans used to generate air flow. The air-flow patterns can be created by the fans either pushing or drawing air. The overall flow pattern can be directed from front to back, back to front, or side to side.

Kühlung des Systems

Die Gehäusekonstruktion muß eine ausreichende Kühlung des Laufwerkes gewährleisten. Die Umgebungstemperatur darf maximal 50°C betragen.

Die Produkthandbuch Cheetah 4LP (Dokument 83329120) enthalten Anweisungen zur Beurteilung der Luftstromkonstruktion. Die Beurteilung muß sicherstellen, daß sich die Gehäusetemperatur bestimmter kritischer Komponenten bei Laufwerkbetrieb innerhalb zugelassener Grenzen hält.

Wir empfehlen, das Laufwerk so zu orientieren oder den Luftstrom so zu lenken, daß der geringste Luftstromwiderstand erzeugt wird und gleichzeitig ein Luftstrom über den Platinen und um die Kopf- und Festplatteneinheit (HDA) gegeben ist. Wählen Sie einen möglichst kurzen Weg zwischen Lufteinlaß und -auslaß. Dadurch wird die Strecke, die die vom Laufwerk und anderen nahegelegenen Hitzequellen aufgewärmte Luft zurücklegt, auf ein Minimum beschränkt.

Abbildung 4 zeigt zwei Konstruktionsmöglichkeiten, bei denen ein oder mehrere Lüfter den Luftstrom erzeugen. Der Luftstromverlauf wird durch die Lüfter gesteuert, die entweder Luft einblasen oder abziehen. Generell kann der Luftstrom entweder von vorne nach hinten oder von hinten nach vorne verlaufen.

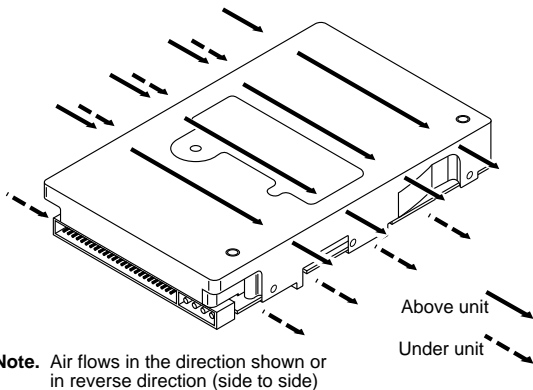
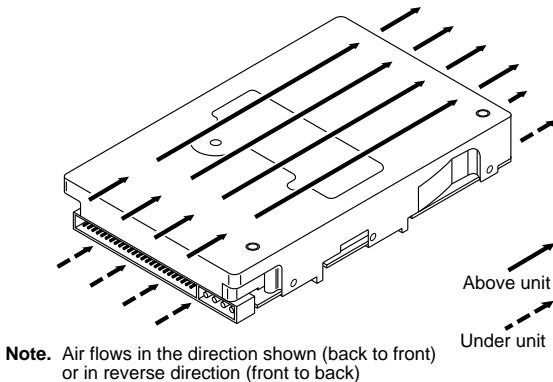


Figure 4. Suggested air flow
Abbildung 4. Empfohlener Luftstromverlauf

Mounting the drive and connecting cables

Do not touch the connector pins or any components on the control board without observing static-discharge precautions. Always handle the drive by the frame only.

The drive may be mounted in any orientation (horizontally, vertically, and any combination thereof); however, you must ensure that the drive receives adequate air flow for cooling.

1. Mount the drive to the host system's chassis using four 6-32 UNC screws. Two mounting holes are in each side of the drive and there are four mounting holes in the bottom of the drive.

The maximum length that the screws should extend into the chassis mounting holes is 0.15 inch (3.81 mm), measured from the outer surface of the chassis. Tighten the screws down evenly. Do not over-tighten or force the screw if it does not seem to screw in easily, because this means the threads are not properly aligned. In this case, back the screw out and try again.

Installation des Laufwerkes und Anschluß der Kabel

Beachten Sie beim Handhaben und Anfassen der Anschlußstifte und Komponenten die Vorsichtsmaßnahmen zur Verhinderung statischer Aufladung. Fassen Sie das Laufwerk nur am Rahmen an.

Das Laufwerk kann in beliebiger Orientierung (horizontal, vertikal oder schräg) installiert werden; jedoch muß dafür gesorgt werden, daß ein ausreichender Luftstrom zur Kühlung des Laufwerkes vorhanden ist.

1. Befestigen Sie das Laufwerk mit vier 6-32-UNC-Schrauben am Gehäuse des Host-Systems. Die beiden Seiten des Laufwerkes sind mit jeweils zwei Befestigungslöchern versehen, die Unterseite des Laufwerkes weist vier weitere Befestigungslöcher auf.

Gemessen von der Außenfläche des Gehäuses dürfen die Schrauben maximal 3,81 mm in die Befestigungslöcher des Gehäuses hineinragen. Die Schrauben müssen gleichmäßig, jedoch nicht zu fest, angezogen werden. Wenn sich eine Schraube nicht ohne Widerstand einschrauben läßt, sind die Gewinde nicht korrekt aneinander ausgerichtet. In diesem Fall die Schraube nicht in das Gewindeloch forcieren, sondern die Schraube herausnehmen und erneut in das Gewindeloch einführen.

-
2. Verify that all connections between the drive and the host system are correctly installed.

-
2. Prüfen Sie, ob alle Verbindungen zwischen dem Laufwerk und dem Host-System korrekt hergestellt sind.

-
3. Verify that you have correctly installed jumpers.

-
3. Stellen Sie sicher, daß die Kennungsbrücken installiert sind.

-
4. Connect the SCSI cable into the drive's SCSI connector. Take care not to stretch or crimp this cable, and do not block the system's cooling air flow with the cable.

The drive receives DC power through a 4-pin connector mounted next to the SCSI connector. The output of a power supply must meet SELV (safety extra low voltage) as

defined in IEC 950. Figure 5 provides the pin information for the DC power connector. To connect the DC power cable to the drive, simply insert the cable end into the drive's DC power connector.

- Schließen Sie das SCSI-Kabel an den SCSI-Steckverbinder des Laufwerkes an. Das Kabel darf nicht gedehnt oder gedrückt werden und es darf den Luftstrom zur Kühlung des Systems nicht behindern.

Das Laufwerk wird über einen 4-poligen, neben dem SCSI-Anschluß befestigten Steckverbinder mit Gleichstrom versorgt. Der Ausgang eines Netzteils muß SELV (safety extra low voltage) nach IEC 950 entsprechen. Abbildung 5 zeigt die Steckerbelegung für den Gleichstromanschluß. Zum Anschluß des Gleichstromkabels an das Laufwerk das Kabelende in den Gleichstromanschluß des Laufwerkes stecken.

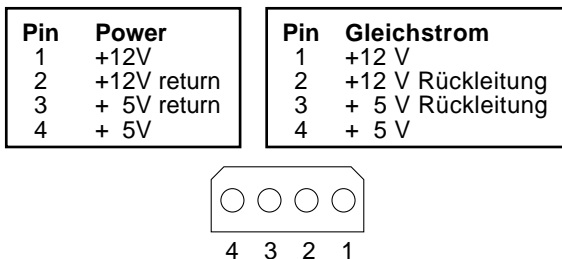


Figure 5. DC power connector

Abbildung 5. Gleichstromanschluß

Note. Signal ground on the power control board (PCB) and the head and disc assembly (HDA) are connected together in this drive and you cannot separate them. The equipment in which you have mounted the drive is connected directly to the HDA and PCB without electrically isolating shock mounts. Maximizing the conductive contact area between HDA ground and system ground may reduce radiated emissions.

If you do not want the system chassis to be connected to the HDA/PCB ground, you must provide a nonconductive (electrically isolating) method of mounting the drive in the host system. This may increase radiated emissions and is the system designer's responsibility.

Hinweis.

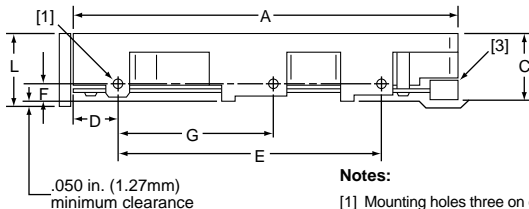
Die Signalerde auf der Stromregelungskarte (PCB) und der Kopf- und Festplatteneinheit (HDA) sind in diesem Laufwerk miteinander verbunden und können nicht getrennt werden. Das Gerät, in das Sie das Laufwerk eingebaut haben, ist ohne elektrisch isolierende Stoßdämpfer direkt an die HDA und PCB angeschlossen. Die elektromagnetische Strahlung kann reduziert werden, indem Sie eine möglichst große leitende Kontaktfläche zwischen der HDA-Erdung und der Systemerdung vorsehen.

Wenn Sie das Systemgehäuse nicht an die HDA/PCB-Erdung anschließen wollen, müssen Sie das Laufwerk auf nichtleitende Weise (galvanisch isoliert) im Host-System einbauen. Die daraus u.U. resultierende verstärkte

elektromagnetische Strahlung fällt in den Zuständigkeitsbereich des Systemdesigners.

5. Replace the host system's cover.

5. Setzen Sie das Gehäuseoberteil des Host-Systems wieder auf.

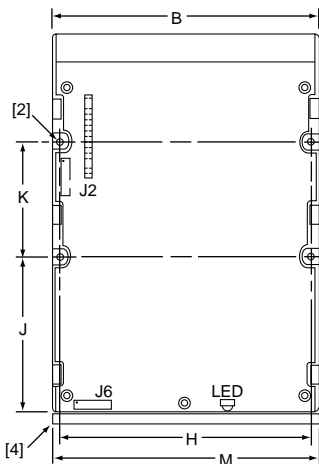
**Notes:**

[1] Mounting holes three on each side, 6-32 UNC. Max screw length into side of drive 0.15 in. (3.81 mm). Screw tightening torque 6.0 in-lb (.675 NM) max with minimum thread engagement of 0.12 in. (3.05 mm).

[2] Mounting holes four on bottom, 6-32 UNC. Max screw length into bottom of drive 0.15 in. (3.81 mm). Screw tightening torque 6.0 in-lb (.675 NM) max with minimum thread engagement of 0.12 in. (3.05 mm).

[3] Power and interface connectors can extend past the "A" dimension by 0.040 in (1.02mm).

[4] Decorative front panel.



| | Inches | Millimeters |
|---|--------------------------|--------------|
| A | 5.750 ± 0.010 | 146.05 ± .25 |
| B | 4.000 ± 0.010 | 101.60 ± .25 |
| C | 1.000 + 0.026 - 0.010 | 25.40 ± .38 |
| D | 0.625 ± 0.020 | 15.87 ± .50 |
| E | 4.000 ± 0.005 | 101.60 ± .13 |
| F | 0.250 ± 0.005 | 6.35 ± .13 |
| G | 2.375 ± 0.010 | 60.32 ± .25 |
| H | 3.750 ± 0.010 | 95.25 ± .25 |
| J | 2.370 ± 0.010 | 60.20 ± .25 |
| K | 1.750 ± 0.020 | 44.45 ± .50 |
| L | 1.100 ± 0.010 | 27.94 ± .25 |
| M | 4.100 ± 0.010 | 104.14 ± .25 |

Figure 6. Mounting configuration dimensions

Formatting the drive

Warning. Formatting a drive erases all user data. Be sure that you understand this principle before formatting any hard disc drive. It is not necessary to format a drive that previously has been used to store data, unless your intention is to erase all user data.

Note. Seagate is not responsible for lost user data.

1. Turn on DC power.
2. Boot the system from a system floppy disc or from a previously installed hard disc drive if there is one.
3. Format the disc drive. Cheetah 4LP disc drives are designed to operate with a variety of operating systems. Please refer to your system or SCSI controller manual for information about formatting and setting up the drive. Some quick desktop system notes are provided below.

Quick reference desktop system notes

Note. Refer to your system or utility manual for detailed instructions)

- DOS. Set the drive type in CMOS to “Zero,” “None,” or “No hard drive installed.” Use FDISK.EXE and FORMAT.EXE. Systems that have operating system Windows 95 release 950B or later do not need to partition the drive.
- Macintosh. Use a third-party drive utility (Apple’s HD Setup utility only works with drives having special Apple firmware).

N drives

Setting the SCSI ID jumpers

Use the J6 connector to set the SCSI ID (see Figure 7). To change the SCSI ID, install jumpers on the appropriate pins as shown in the illustration.

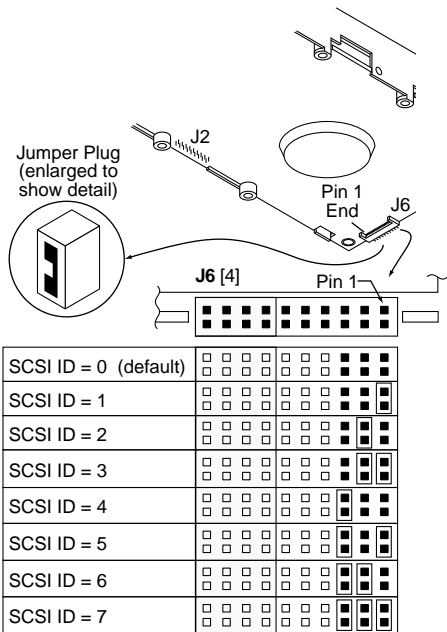


Figure 7. Setting the SCSI ID on model "N" drives

N drives

Terminator power

There are three possible terminator power (**TP**) configurations for “N” model drives (see Figure 9). You will not normally need to change this option and can leave the drive configured as it was shipped from the factory.

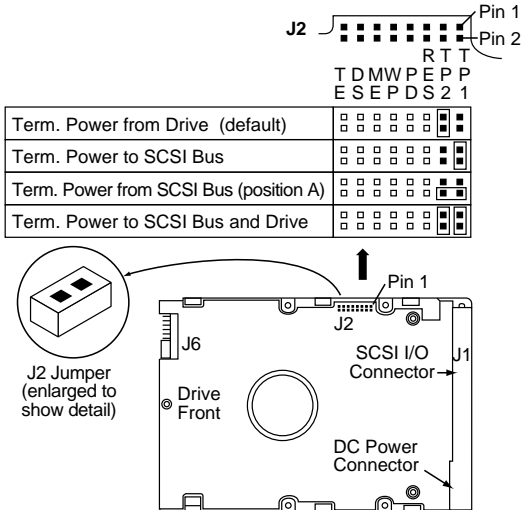


Figure 9. Setting terminator power jumpers

Other applicable jumper options

Several other jumper options are available as illustrated.

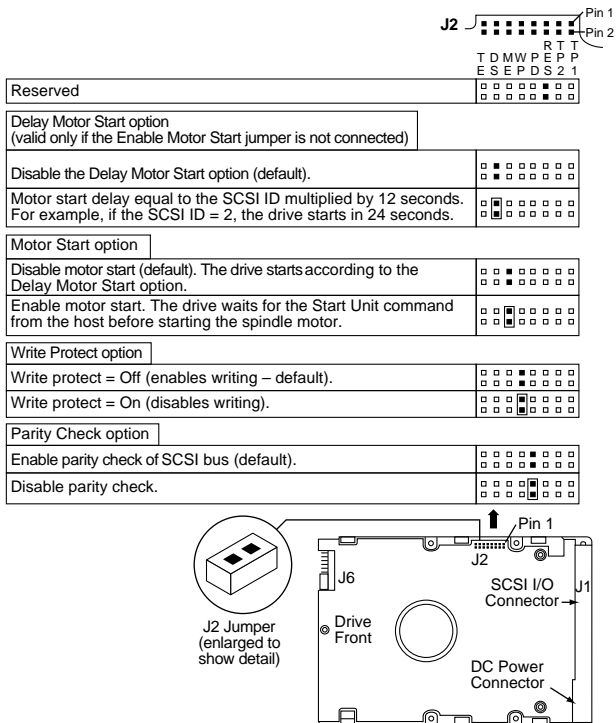


Figure 10. Additional jumper options

W/WD drives

Terminating the drive

“W” model drives are terminated with permanently mounted IC active terminators. If you install one of these drives and it is not on the end of the SCSI bus, disable the terminators by removing the jumper “TE” from pins 15 and 16 of connector J2. If you install the drive on the end of the SCSI bus, enable termination by installing a jumper on pins 15 and 16 of connector J2 (see Figure 13).

Note. Use active (ANSI SCSI-2 Alternative 2) terminators when terminating the bus.

“WD” model drives do not have internal terminators or any other way of adding internal termination to the drive. You must provide external differential termination to these drives when termination is required. See Figure 3d.

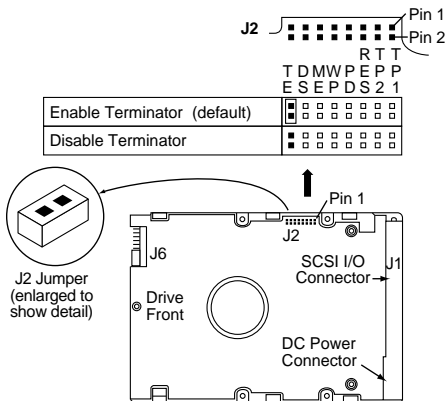


Figure 13. Terminating the drive (“W” model shown)

Terminator power

There are three possible terminator power (**TP**) configurations for “W” model drives (see Figure 14). You will not normally need to change this option and can leave the drive configured as it was shipped from the factory.

There are two possible terminator power (**TP**) configurations for “WD” model drives (see Figure 14).

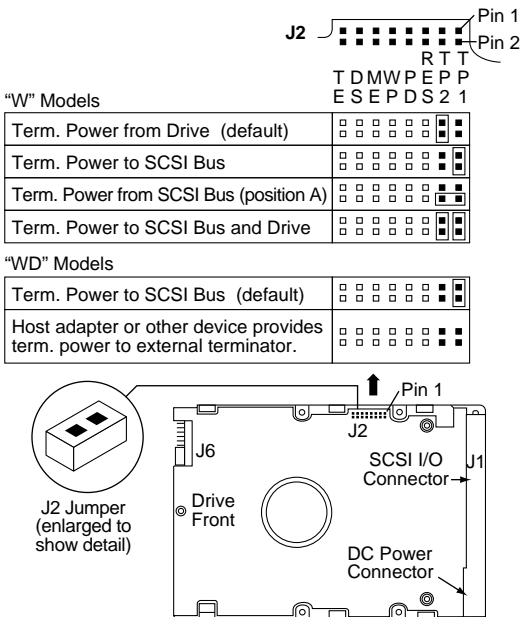


Figure 14. Setting terminator power jumpers

W/WD drives

Other applicable jumper options

Other option jumpers are available as illustrated below.

| | J2 | Pin 1 | Pin 2 |
|--|-----------------|-----------------|-----------------|
| | T | D | M |
| | E | S | E |
| | P | D | S |
| | 2 | 1 | |
| Reserved | □ □ □ □ □ □ □ □ | □ □ □ □ □ □ □ □ | □ □ □ □ □ □ □ □ |
| Delay Motor Start option (valid only if the Enable Motor Start jumper is not connected) | | | |
| Disable the Delay Motor Start option (default). | □ □ □ □ □ □ □ □ | □ □ □ □ □ □ □ □ | □ □ □ □ □ □ □ □ |
| Motor start delay equal to the SCSI ID multiplied by 12 seconds. For example, if the SCSI ID = 2, the drive starts in 24 seconds. | □ □ □ □ □ □ □ □ | □ □ □ □ □ □ □ □ | □ □ □ □ □ □ □ □ |
| Motor Start option | | | |
| Disable motor start (default). The drive starts according to the Delay Motor Start option. | □ □ □ □ □ □ □ □ | □ □ □ □ □ □ □ □ | □ □ □ □ □ □ □ □ |
| Enable motor start. The drive waits for the Start Unit command from the host before starting the spindle motor. | □ □ □ □ □ □ □ □ | □ □ □ □ □ □ □ □ | □ □ □ □ □ □ □ □ |
| Write Protect option | | | |
| Write protect = Off (enables writing – default). | □ □ □ □ □ □ □ □ | □ □ □ □ □ □ □ □ | □ □ □ □ □ □ □ □ |
| Write protect = On (disables writing). | □ □ □ □ □ □ □ □ | □ □ □ □ □ □ □ □ | □ □ □ □ □ □ □ □ |
| Parity Check option | | | |
| Enable parity check of SCSI bus (default). | □ □ □ □ □ □ □ □ | □ □ □ □ □ □ □ □ | □ □ □ □ □ □ □ □ |
| Disable parity check. | □ □ □ □ □ □ □ □ | □ □ □ □ □ □ □ □ | □ □ □ □ □ □ □ □ |

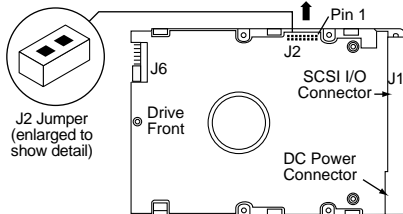


Figure 15. Additional jumper options

Setting the SCSI ID jumpers

The SCSI ID for “WC” and “DC” model drives is normally set over the SCSI bus by the host system using connector contacts 39 (ID0), 40 (ID2), 79 (ID1), and 80 (ID3).

Terminating the drive

“WC” and “DC” model drives do not have internal terminators or any other way of adding internal termination to the drive. You must provide external termination to these drives when termination is required.

WC/DC drives

Applicable jumper options

Option jumpers are available as illustrated below.

| Delay Motor Start option | <table border="1"> <tr> <td>□</td><td>■</td><td>□</td><td>□</td><td>□</td><td>□</td><td>□</td><td>□</td><td>□</td><td>□</td><td>□</td><td>□</td> </tr> </table> | □ | ■ | □ | □ | □ | □ | □ | □ | □ | □ | □ | □ | | | | | | | | | | | | |
|---|---|---|---|---|---|---|---|---|---|---|---|---|---|---|---|---|---|---|---|---|---|---|---|---|---|
| □ | ■ | □ | □ | □ | □ | □ | □ | □ | □ | □ | □ | | | | | | | | | | | | | | |
| The host system has complete control over motor start functions. Do not install a jumper on these pins. | | | | | | | | | | | | | | | | | | | | | | | | | |
| Enable Motor Start option | <table border="1"> <tr> <td>□</td><td>□</td><td>■</td><td>□</td><td>□</td><td>□</td><td>□</td><td>□</td><td>□</td><td>□</td><td>□</td><td>□</td> </tr> <tr> <td>□</td><td>□</td><td>■</td><td>□</td><td>□</td><td>□</td><td>□</td><td>□</td><td>□</td><td>□</td><td>□</td><td>□</td> </tr> </table> | □ | □ | ■ | □ | □ | □ | □ | □ | □ | □ | □ | □ | □ | □ | ■ | □ | □ | □ | □ | □ | □ | □ | □ | □ |
| □ | □ | ■ | □ | □ | □ | □ | □ | □ | □ | □ | □ | | | | | | | | | | | | | | |
| □ | □ | ■ | □ | □ | □ | □ | □ | □ | □ | □ | □ | | | | | | | | | | | | | | |
| The host system has complete control over motor start functions. Do not install a jumper on these pins. | | | | | | | | | | | | | | | | | | | | | | | | | |
| Write Protect option | | | | | | | | | | | | | | | | | | | | | | | | | |
| Write protect = Off (enables writing – default) | <table border="1"> <tr> <td>□</td><td>□</td><td>□</td><td>□</td><td>■</td><td>□</td><td>□</td><td>□</td><td>□</td><td>□</td><td>□</td><td>□</td> </tr> </table> | □ | □ | □ | □ | ■ | □ | □ | □ | □ | □ | □ | □ | | | | | | | | | | | | |
| □ | □ | □ | □ | ■ | □ | □ | □ | □ | □ | □ | □ | | | | | | | | | | | | | | |
| Write protect = On (disables writing) | <table border="1"> <tr> <td>□</td><td>□</td><td>□</td><td>□</td><td>□</td><td>■</td><td>□</td><td>□</td><td>□</td><td>□</td><td>□</td><td>□</td> </tr> <tr> <td>□</td><td>□</td><td>□</td><td>□</td><td>□</td><td>■</td><td>□</td><td>□</td><td>□</td><td>□</td><td>□</td><td>□</td> </tr> </table> | □ | □ | □ | □ | □ | ■ | □ | □ | □ | □ | □ | □ | □ | □ | □ | □ | □ | ■ | □ | □ | □ | □ | □ | □ |
| □ | □ | □ | □ | □ | ■ | □ | □ | □ | □ | □ | □ | | | | | | | | | | | | | | |
| □ | □ | □ | □ | □ | ■ | □ | □ | □ | □ | □ | □ | | | | | | | | | | | | | | |
| Parity Check option | | | | | | | | | | | | | | | | | | | | | | | | | |
| Enable parity check of SCSI bus (default). | <table border="1"> <tr> <td>□</td><td>□</td><td>□</td><td>□</td><td>■</td><td>□</td><td>□</td><td>□</td><td>□</td><td>□</td><td>□</td><td>□</td> </tr> </table> | □ | □ | □ | □ | ■ | □ | □ | □ | □ | □ | □ | □ | | | | | | | | | | | | |
| □ | □ | □ | □ | ■ | □ | □ | □ | □ | □ | □ | □ | | | | | | | | | | | | | | |
| Disable parity check. | <table border="1"> <tr> <td>□</td><td>□</td><td>□</td><td>□</td><td>□</td><td>■</td><td>□</td><td>□</td><td>□</td><td>□</td><td>□</td><td>□</td> </tr> <tr> <td>□</td><td>□</td><td>□</td><td>□</td><td>□</td><td>■</td><td>□</td><td>□</td><td>□</td><td>□</td><td>□</td><td>□</td> </tr> </table> | □ | □ | □ | □ | □ | ■ | □ | □ | □ | □ | □ | □ | □ | □ | □ | □ | □ | ■ | □ | □ | □ | □ | □ | □ |
| □ | □ | □ | □ | □ | ■ | □ | □ | □ | □ | □ | □ | | | | | | | | | | | | | | |
| □ | □ | □ | □ | □ | ■ | □ | □ | □ | □ | □ | □ | | | | | | | | | | | | | | |

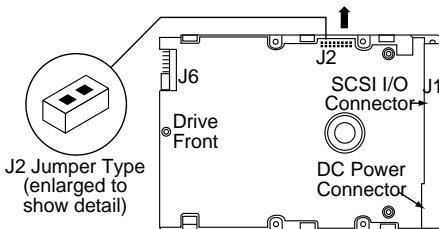


Figure 16. Jumper options

Drive Active indicator

The drive Active LED indicator connections are shown below.

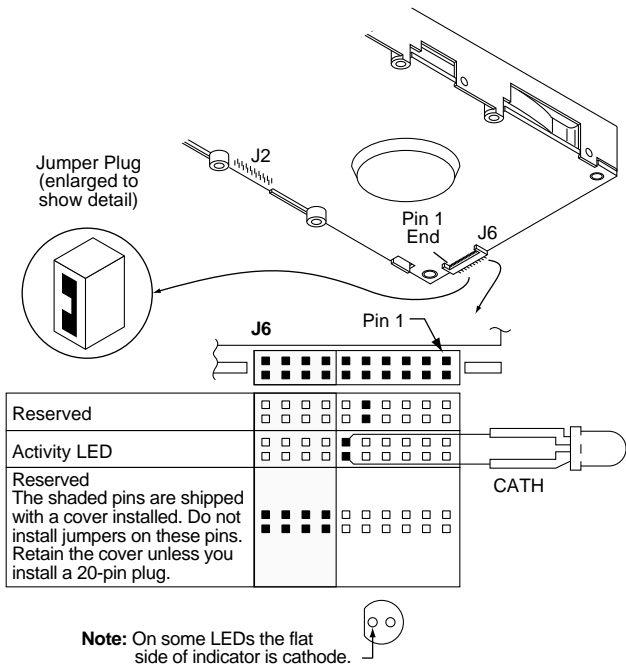


Figure 17. Drive Active LED indicator connections



Seagate Technology, Inc.

920 Disc Drive, Scotts Valley, CA 95066-4544, USA

Publication Number: 83329110, Rev. A, Printed in USA